

SMART PUSH 缓冲反弹器

H3003

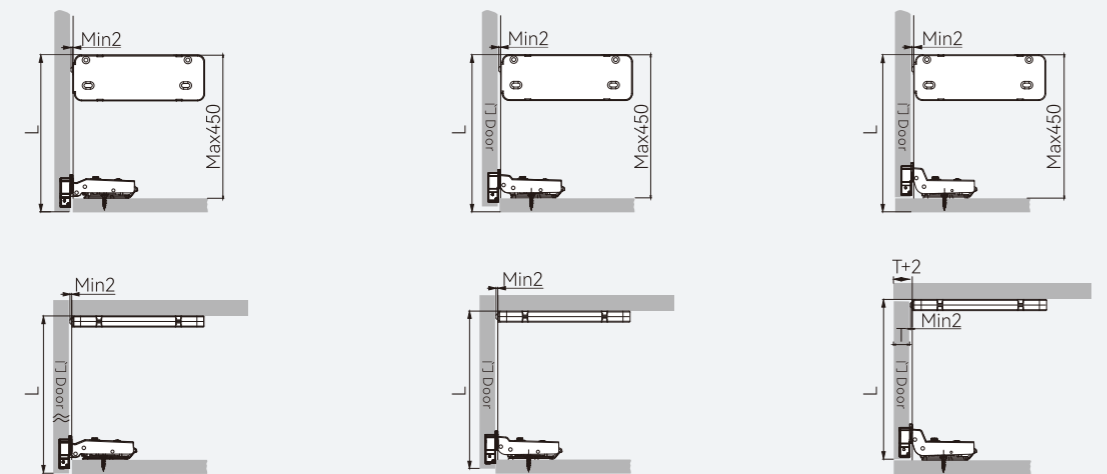
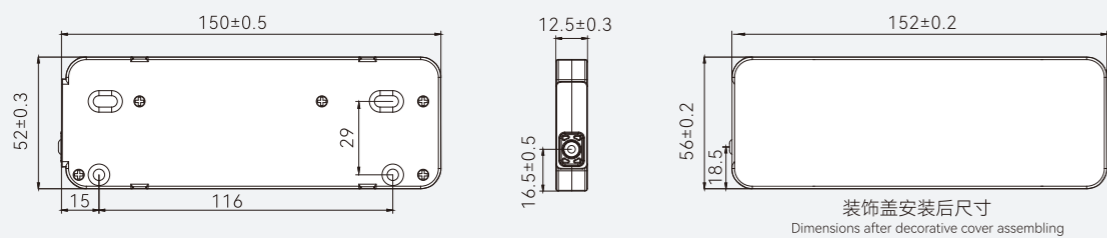
- 行程: 56mm
- 材料: POM
- 颜色: 深灰色/浅灰色

- Stroke: 56mm
- Material: POM
- Color: Dark grey/Light grey



安装信息 Installation Information

反弹器尺寸及安装示意 Dimensions and installation instructions



门扇宽度=D (**留装饰盖安装位置)
350mm≤D≤450mm, L取最大值, L=D
450mm≤D≤600mm, L=450mm

Door width=D
(**Reserve space to assemble the decorative cover)
350mm≤D≤450mm,
L takes the maximum value, L=D
450mm≤D≤600mm, L=450mm

配套铰链盖位计算值表 Installation specifications & coverage calculation table of the specialized hinges

H92NA 直臂(全盖) Full overlay		H92NB 中弯(半盖) Half overlay		H92NC 大弯(内嵌) Inset door																																																																																					
$H=15+K-D$ <table border="1"> <tr><th>D</th><th>K</th><th>3</th><th>4</th><th>5</th><th>6</th><th>7</th></tr> <tr><th>H</th><td>0</td><td>18</td><td>19</td><td>20</td><td>21</td><td>22</td></tr> <tr><td>2</td><td>16</td><td>17</td><td>18</td><td>19</td><td>20</td><td></td></tr> <tr><td>4</td><td>14</td><td>15</td><td>16</td><td>17</td><td>18</td><td></td></tr> </table>		D	K	3	4	5	6	7	H	0	18	19	20	21	22	2	16	17	18	19	20		4	14	15	16	17	18		$H=5+K-D$ <table border="1"> <tr><th>D</th><th>K</th><th>3</th><th>4</th><th>5</th><th>6</th><th>7</th></tr> <tr><th>H</th><td>0</td><td>8</td><td>9</td><td>10</td><td>11</td><td>12</td></tr> <tr><td>2</td><td>6</td><td>7</td><td>8</td><td>9</td><td>10</td><td></td></tr> <tr><td>4</td><td>4</td><td>5</td><td>6</td><td>7</td><td>8</td><td></td></tr> </table>		D	K	3	4	5	6	7	H	0	8	9	10	11	12	2	6	7	8	9	10		4	4	5	6	7	8		$H=K+A-3$ <table border="1"> <tr><th>A</th><th>K</th><th>3</th><th>4</th><th>5</th><th>6</th><th>7</th></tr> <tr><th>H</th><td>0</td><td>0</td><td>-1</td><td>-2</td><td>-3</td><td>-4</td></tr> <tr><td>2</td><td>2</td><td>1</td><td>0</td><td>-1</td><td>-2</td><td></td></tr> <tr><td>4</td><td>4</td><td>3</td><td>2</td><td>1</td><td>0</td><td></td></tr> </table>		A	K	3	4	5	6	7	H	0	0	-1	-2	-3	-4	2	2	1	0	-1	-2		4	4	3	2	1	0	
D	K	3	4	5	6	7																																																																																			
H	0	18	19	20	21	22																																																																																			
2	16	17	18	19	20																																																																																				
4	14	15	16	17	18																																																																																				
D	K	3	4	5	6	7																																																																																			
H	0	8	9	10	11	12																																																																																			
2	6	7	8	9	10																																																																																				
4	4	5	6	7	8																																																																																				
A	K	3	4	5	6	7																																																																																			
H	0	0	-1	-2	-3	-4																																																																																			
2	2	1	0	-1	-2																																																																																				
4	4	3	2	1	0																																																																																				
H92QNA 直臂(全盖) Full overlay		H92QNB 中弯(半盖) Half overlay		H92QNC 大弯(内嵌) Inset door																																																																																					
$H=W-D-2$ <table border="1"> <tr><th>D</th><th>W</th><th>19</th><th>20</th><th>21</th><th>22</th><th>23</th></tr> <tr><th>H</th><td>0</td><td>17</td><td>18</td><td>19</td><td>20</td><td>21</td></tr> <tr><td>2</td><td>15</td><td>16</td><td>17</td><td>18</td><td>19</td><td></td></tr> <tr><td>4</td><td>13</td><td>14</td><td>15</td><td>16</td><td>17</td><td></td></tr> </table>		D	W	19	20	21	22	23	H	0	17	18	19	20	21	2	15	16	17	18	19		4	13	14	15	16	17		$H=W-D-11$ <table border="1"> <tr><th>D</th><th>W</th><th>19</th><th>20</th><th>21</th><th>22</th><th>23</th></tr> <tr><th>H</th><td>0</td><td>7</td><td>8</td><td>9</td><td>10</td><td>11</td></tr> <tr><td>2</td><td>5</td><td>6</td><td>7</td><td>8</td><td>9</td><td></td></tr> <tr><td>4</td><td>3</td><td>4</td><td>5</td><td>6</td><td>7</td><td></td></tr> </table>		D	W	19	20	21	22	23	H	0	7	8	9	10	11	2	5	6	7	8	9		4	3	4	5	6	7		$H=W+A-20$ <table border="1"> <tr><th>A</th><th>W</th><th>19</th><th>20</th><th>21</th><th>22</th><th>23</th></tr> <tr><th>H</th><td>0</td><td>1</td><td>0</td><td>-1</td><td>-2</td><td>-3</td></tr> <tr><td>2</td><td>3</td><td>2</td><td>1</td><td>0</td><td>-1</td><td></td></tr> <tr><td>4</td><td>5</td><td>4</td><td>3</td><td>2</td><td>1</td><td></td></tr> </table>		A	W	19	20	21	22	23	H	0	1	0	-1	-2	-3	2	3	2	1	0	-1		4	5	4	3	2	1	
D	W	19	20	21	22	23																																																																																			
H	0	17	18	19	20	21																																																																																			
2	15	16	17	18	19																																																																																				
4	13	14	15	16	17																																																																																				
D	W	19	20	21	22	23																																																																																			
H	0	7	8	9	10	11																																																																																			
2	5	6	7	8	9																																																																																				
4	3	4	5	6	7																																																																																				
A	W	19	20	21	22	23																																																																																			
H	0	1	0	-1	-2	-3																																																																																			
2	3	2	1	0	-1																																																																																				
4	5	4	3	2	1																																																																																				

产品配件 Product accessories

型号 Model no.	缓冲反弹器 Soft close rebound buffers	H92N铰链 Specialized hinges (A/B/C根据订单要求) (A/B/C cranks as per order requirement)	ST4*25十字沉头自攻钉 Cross countersunk self-tapping screws	ST4*16十字沉头自攻钉 cross countersunk self-tapping screws	通用臂盖 Arm cover
H3003L-2	H3003轻型缓冲反弹器 (已扣合装饰盖) Soft close rebound buffer with decorative cover (light type)	H92QN铰链 Specialized hinges	4	12	2
H3003M-4	H3003通用型缓冲反弹器 (已扣合装饰盖) H3003 soft close rebound buffer with decorative cover (standard type)		4	24	4
H3003H-5	H3003重型缓冲反弹器 (已扣合装饰盖) H3003 soft close rebound buffer with decorative cover (heavy type)		4	30	5
H3003H-6	H3003重型缓冲反弹器 (已扣合装饰盖) H3003 soft close rebound buffer with decorative cover (heavy type)		4	36	6